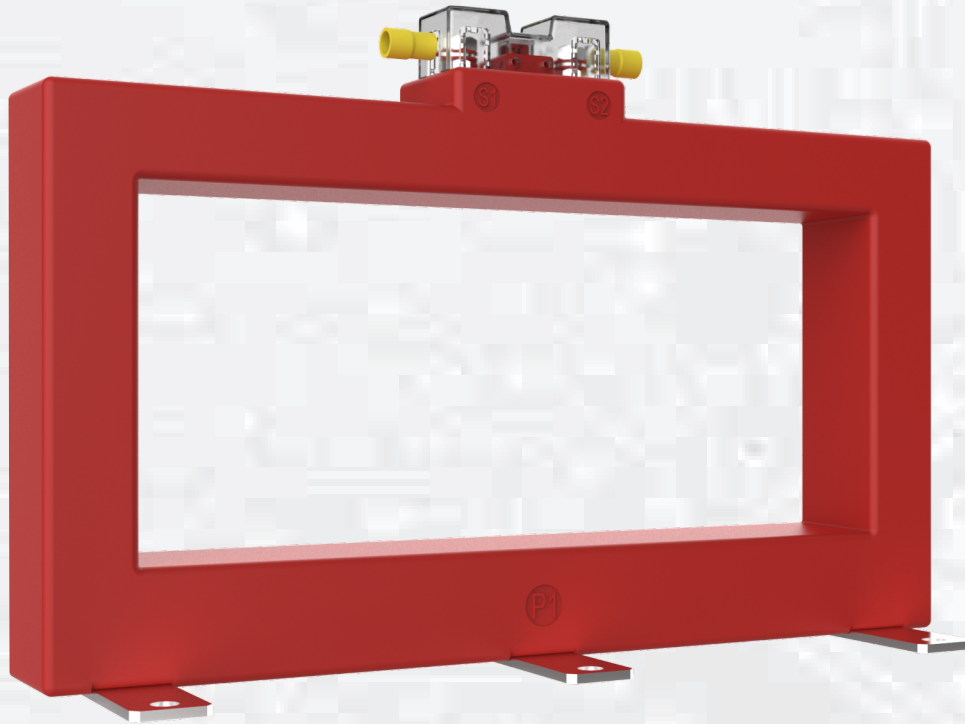




Technical Data Sheet

Omega RC Series



Omega RC series Current Transformers (CTs) are PU resin potted and enclosed in a sturdy polycarbonate casing. Engineered for busbar installations, they include clear directional markings for easy identification of primary current flow.

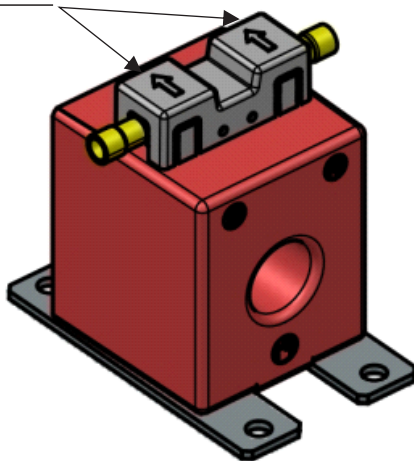
Special Features

- Wide System Current Range
- Transparent cover with IP20 protection to terminals
- Clear primary current direction marking
- Designed for efficient wall mounting.
- Wire-Sealable Terminal Cover to enhances safety and ensures tamper-proof access.

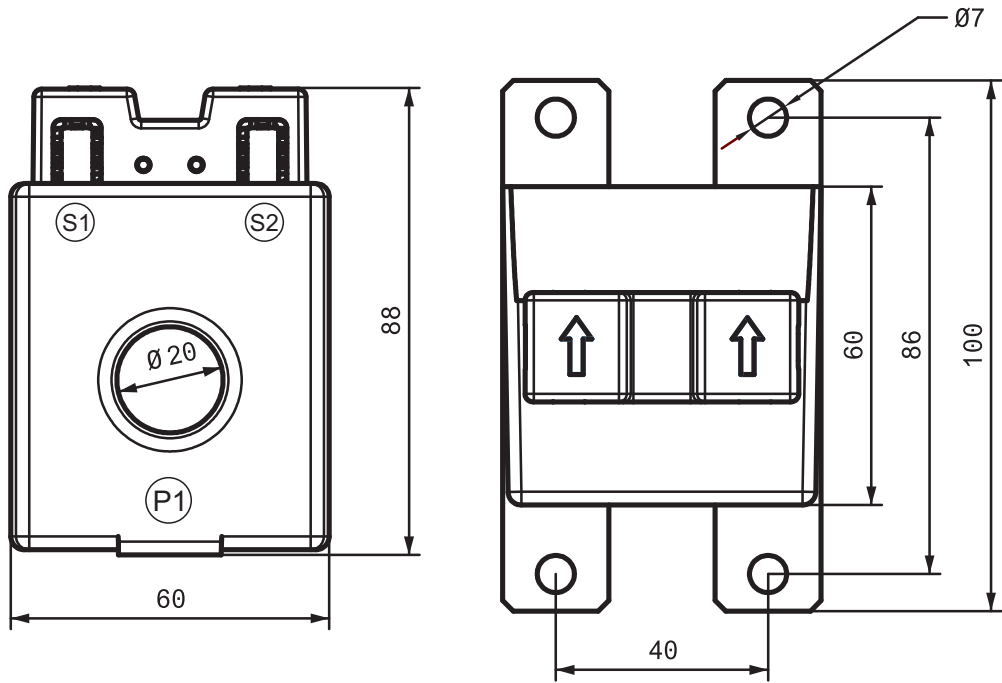
Specification

Applicable Standard	IEC-61869-1 & 2, IS-16227
Type	PU Resin Low Voltage CT
Insulation Class	E (120°C max)
System voltage	0.72 kV (max)
Operating Frequency	50/60Hz
Test Voltage	4kV (50Hz for 1 minute)
Rated Primary Current Rating	50A to 7500A
Rated Secondary Current Rating	5A (1A on request)
Accuracy class	CL0.5, CL1.0 and CL3.0
Rated Burden	1VA to 30VA
Instrument Security Factor	5,10,15
Continuous Current	1.2 X Rated Primary Current
Rated Short Time Thermal Current (I_{th})	60 X I _n for 1sec (max 40kA for 1 sec)
Rated Dynamic Current (I_{dyn})	2.5 X I _{th}
Ambient Temperature	-25°C to +40°C
Storage temperature	-50°C...+80°C
Connection	M4 Terminal studs

Primary Current
Direction Marking



Omega RC10

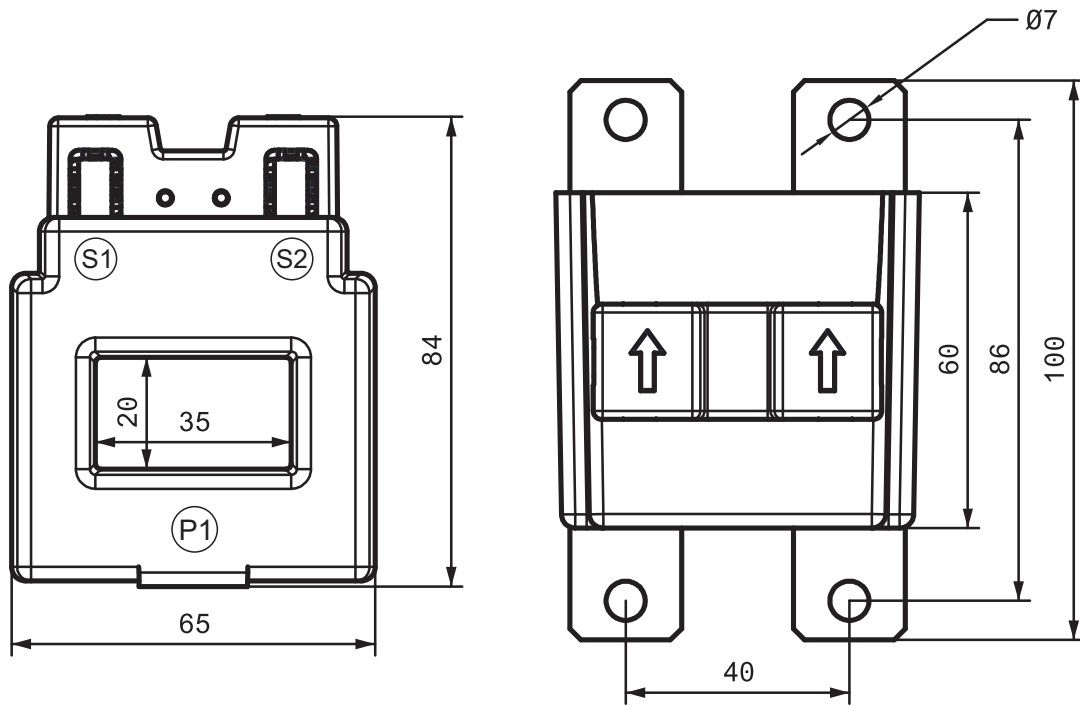


Omega RC10

Primary Current (A)	VA	Class	VA	Class
50	5	3	1	1
60	5	3	1.5	1
75	5	3	2.5	1
80	5	3	2.5	1
80	-	-	1	0.5
100	5	1	2.5	0.5
150	5	1	3.75	0.5



OMEGA RC20

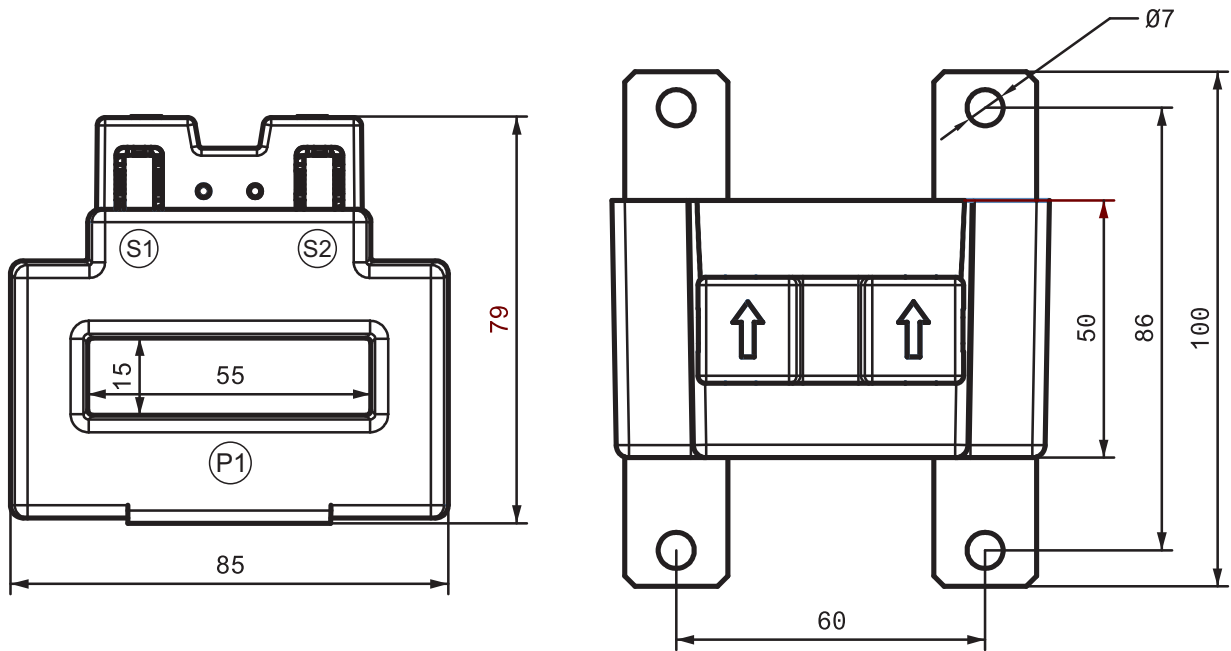


OMEGA RC20

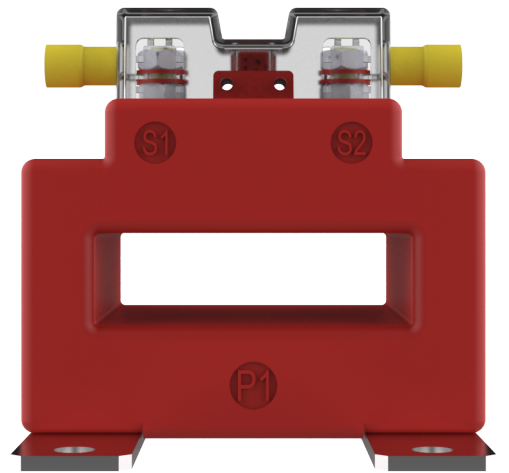
Primary Current (A)	VA	Class	VA	Class
50	2.5	3	-	-
60	2.5	3	-	-
75	1.5	1	-	-
80	1.75	1	-	-
100	2.5	1	-	-
150	5	1	1.75	0.5
200	6.25	1	3.75	0.5
250	7.5	1	5	0.5



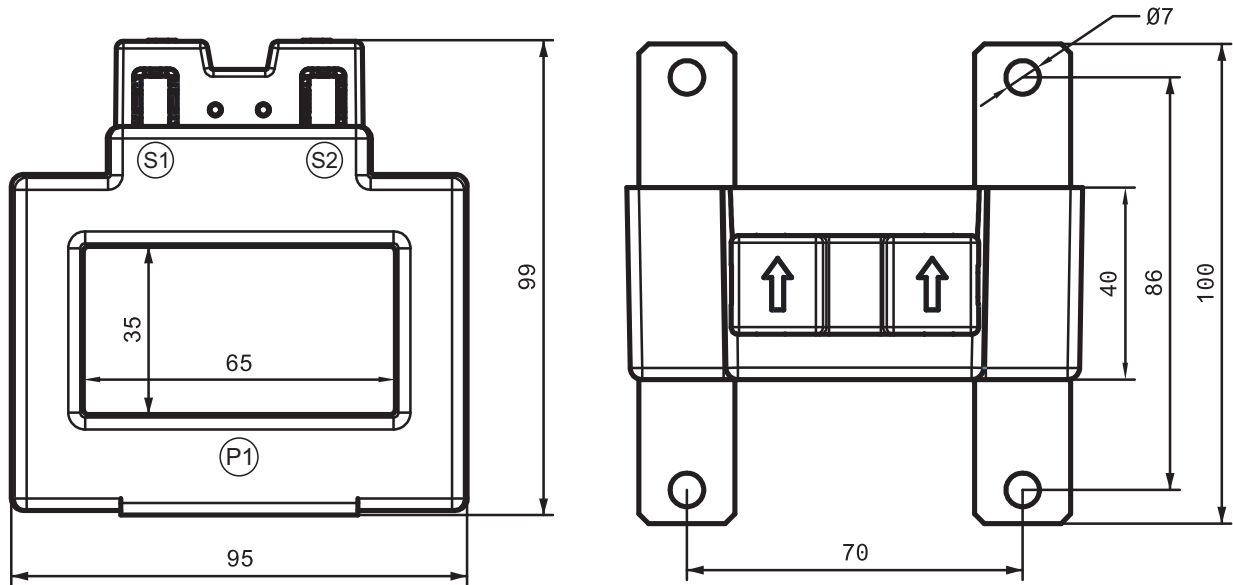
OMEGA RC30



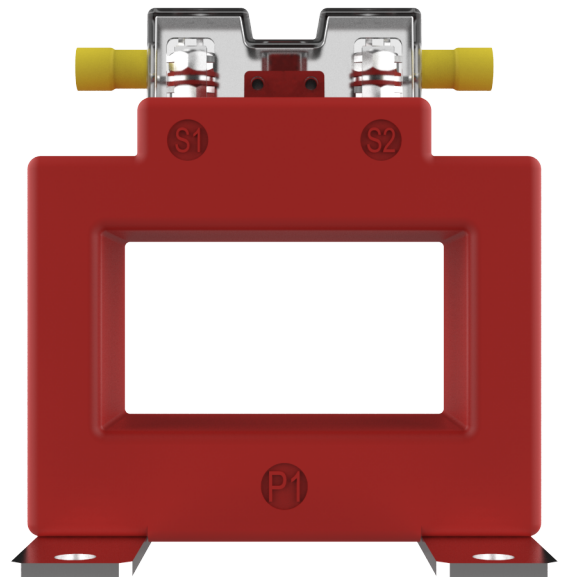
OMEGA RC30				
Primary Current (A)	VA	Class	VA	Class
250	6.25	1	3.75	0.5
300	7.5	1	5	0.5
400	10	1	7.5	0.5



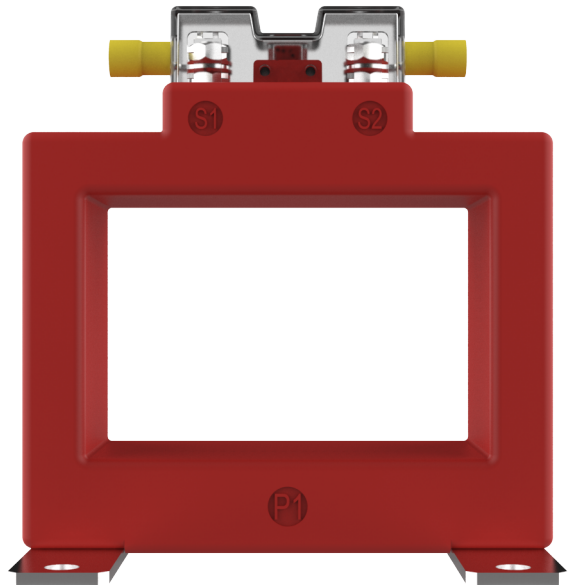
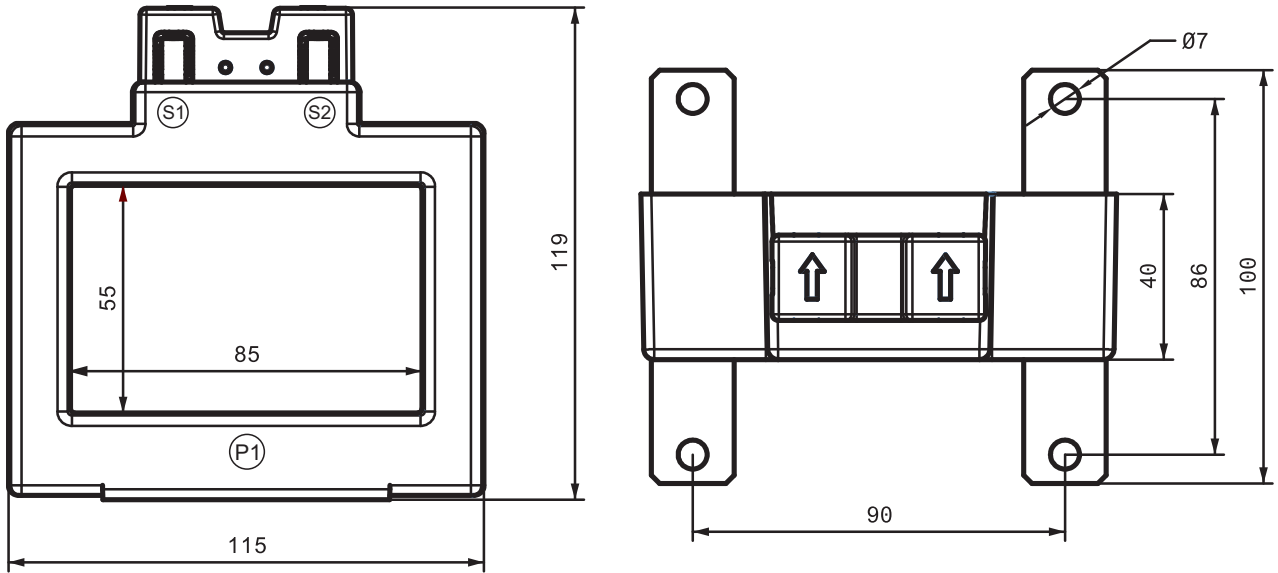
OMEGA RC40



OMEGA RC40				
Primary Current (A)	VA	Class	VA	Class
400	7.5	1	5	0.5
500	7.5	1	5	0.5
630	10	1	7.5	0.5
800	10	1	7.5	0.5
1000	10	1	7.5	0.5



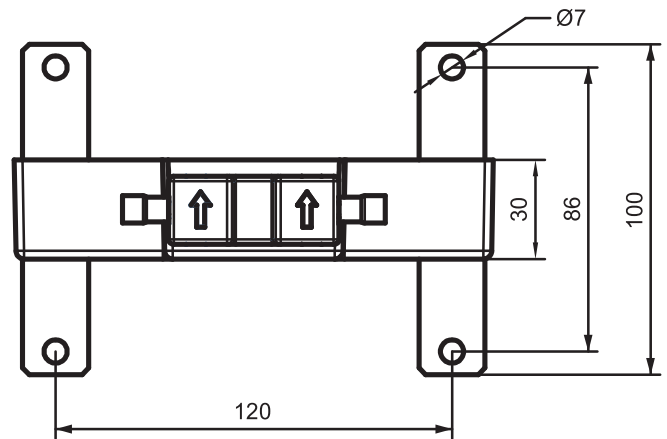
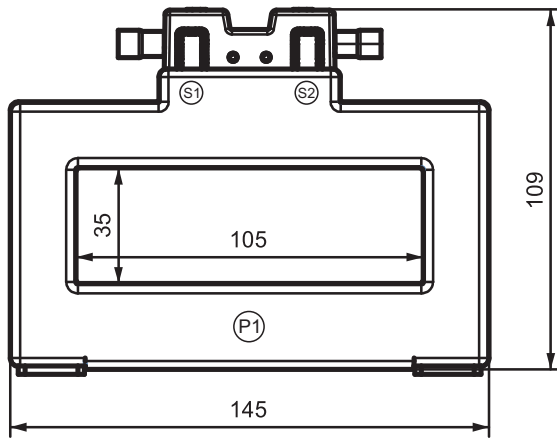
OMEGA RC50



OMEGA RC50

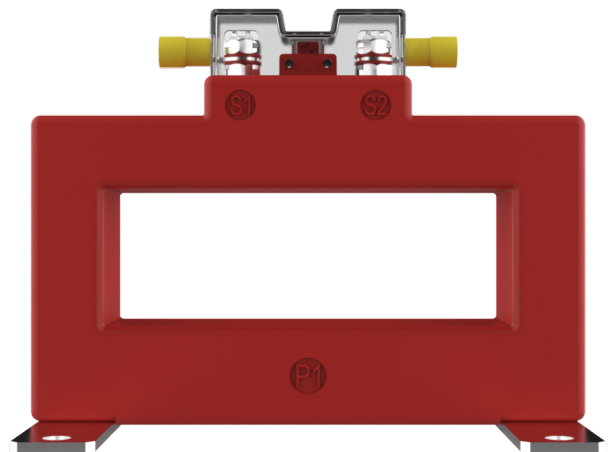
Primary Current (A)	VA	Class	VA	Class
1000	10	1	7.5	0.5
1200	12.5	1	10	0.5
1250	12.5	1	10	0.5

OMEGA RC60

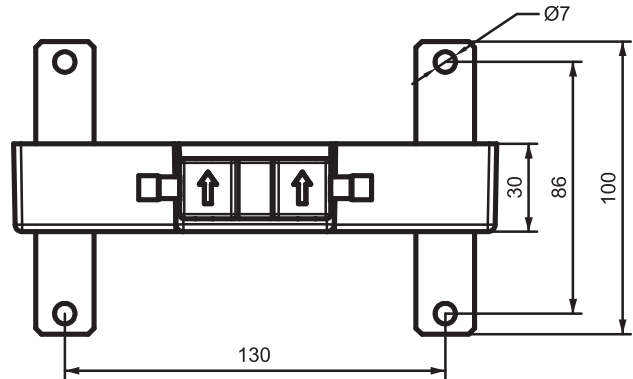
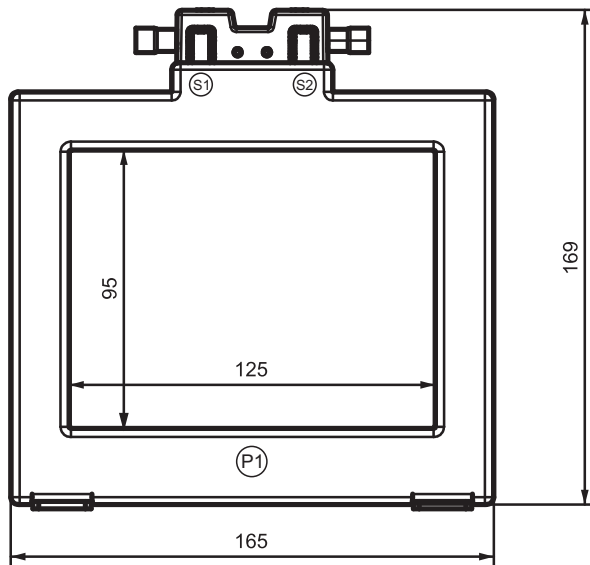


OMEGA RC60

Primary Current (A)	VA	Class	VA	Class
1500	10	1	10	0.5
1600	12.5	1	12.5	0.5
2000	20	1	15	0.5
2500	20	1	15	0.5

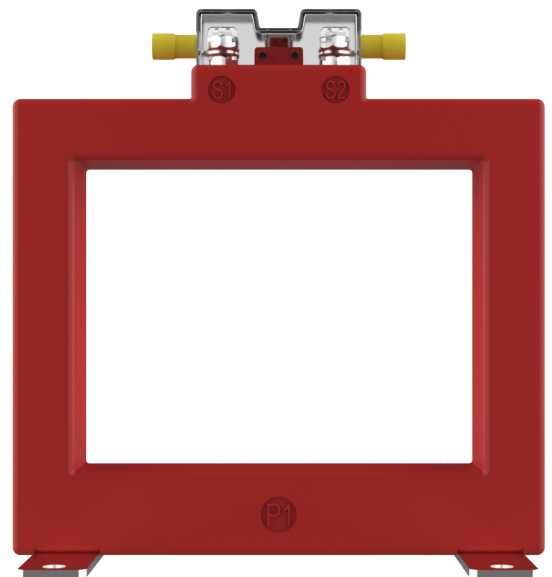


OMEGA RC70

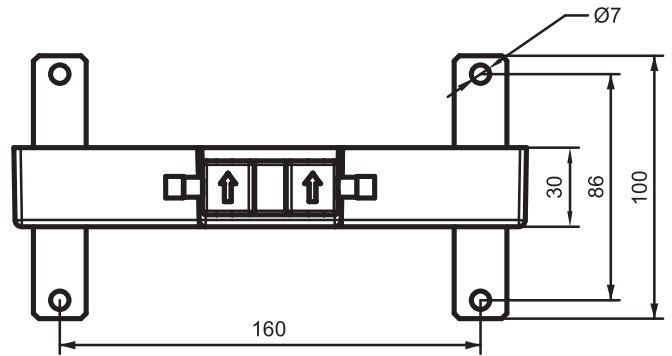
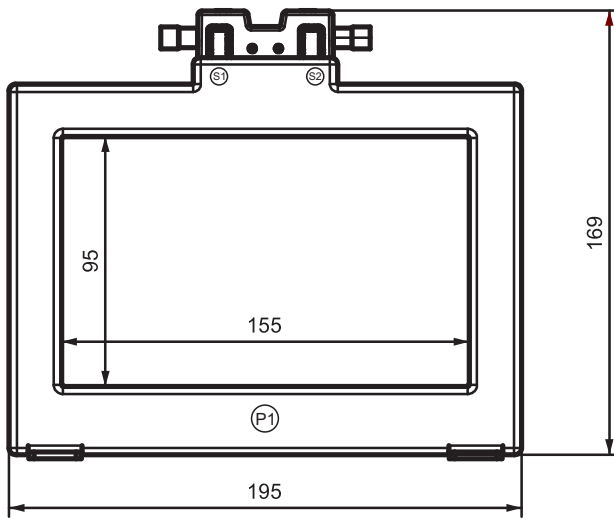


OMEGA RC70

Primary Current (A)	VA	Class	VA	Class
2000	15	1	10	0.5
3000	25	1	20	0.5
3200	25	1	20	0.5

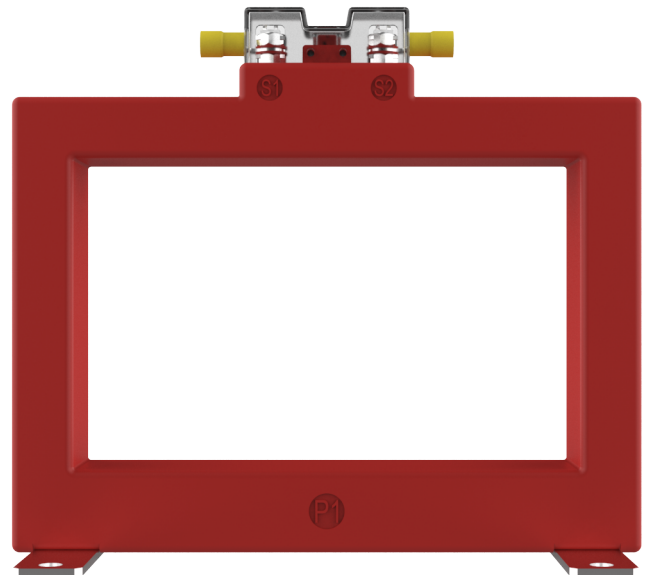


OMEGA RC80

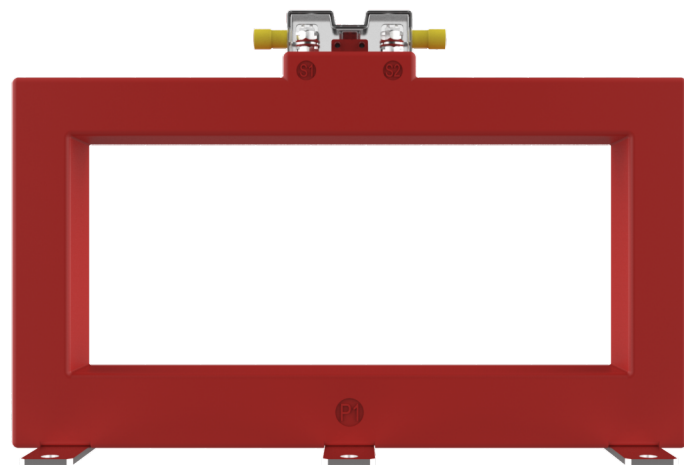
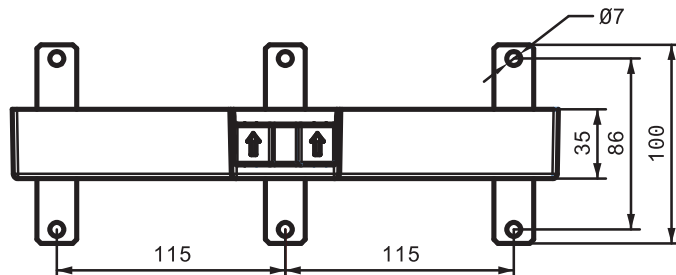
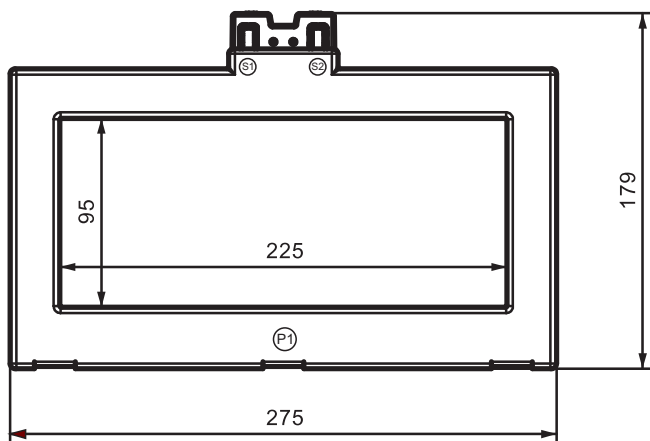


OMEGA RC80

Primary Current (A)	VA	Class	VA	Class
3000	20	1	15	0.5
3200	20	1	15	0.5
4000	30	1	25	0.5



OMEGA RC90



OMEGA RC90

Primary Current (A)	VA	Class	VA	Class
5000	30	1	30	0.5
6000	30	1	30	0.5
7500	30	1	30	0.5



sifam tinsley
PRECISION INSTRUMENTATION

Sifam Tinsley Instrumentation Inc.
2105, Barrett Park Dr. Unit 105.
Kennesaw, GA 30144, USA
E-mail Id : psk@sifamtinsley.com
info@sifamtinsley.com
Web : www.sifamtinsley.com
Contact No. : +1 404 736 4903

Sifam Tinsley Instrumentation Ltd
Unit 1 Warner Drive,
Springwood Industrial Estate
Braintree, Essex, UK, CM72YW
E-mail: sales@sifamtinsley.com
Web: www.sifamtinsley.com/uk
Contact: +44(0)1803615139